



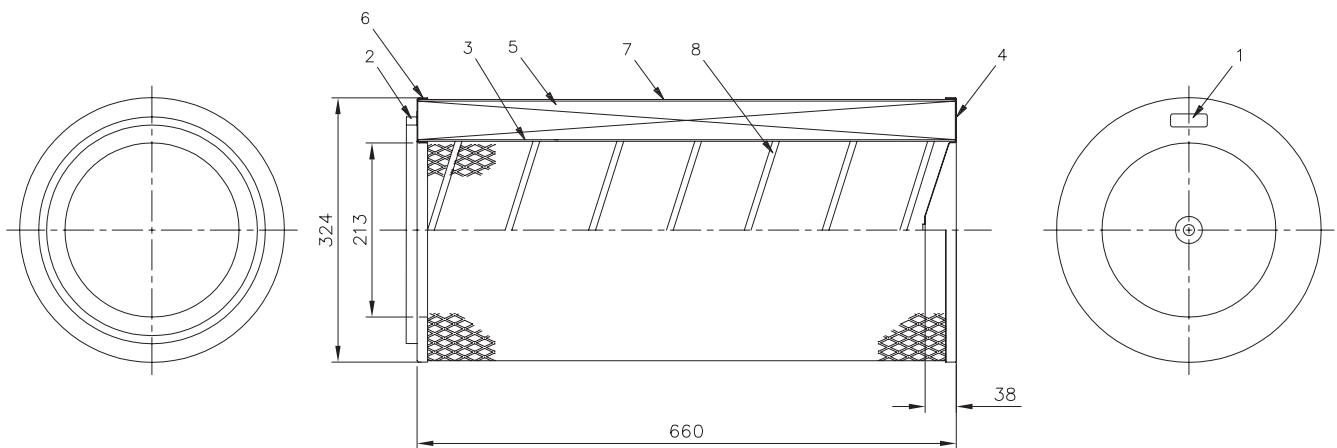
Donaldson  
FILTRATION SOLUTIONS

## DATA SHEET

### Replacement Elements

Cartridges – TD style

#### TD style with outer liner



#### Open top flange

Closed bottom + hole 13.5 mm

## SPECIFICATIONS

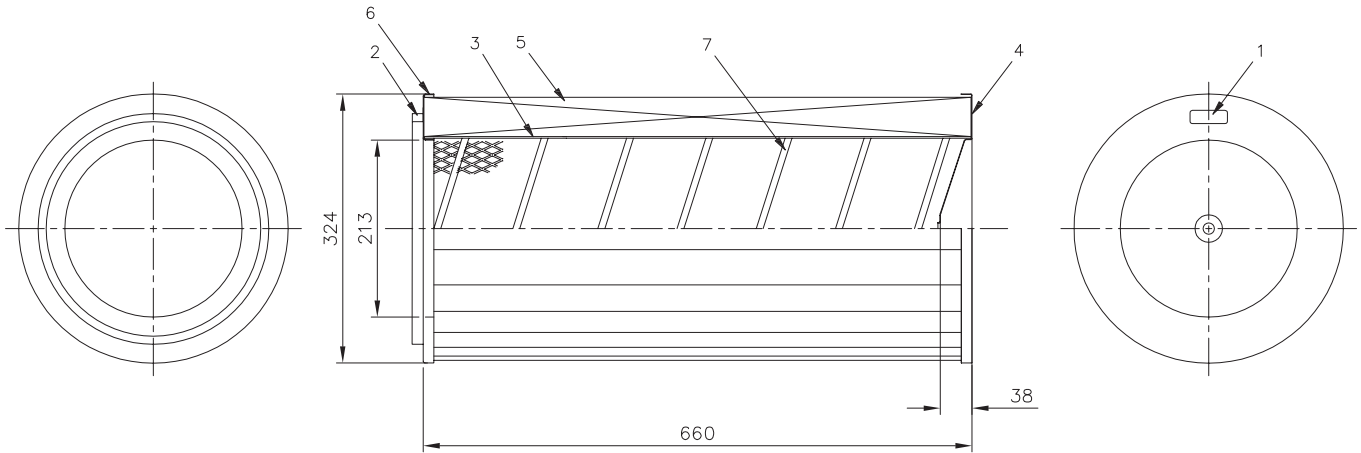
Item	Description
1	Marking
2	Gasket
3	Inner liner
4	Open bottom end cap with 13.5 mm hole
5	Media pack
6	Top end cap
7	Outer liner
8	Inner beading

\*stainless steel endcap with 13 mm hole available

#### Available media qualities:

- Ultra-Web®
- Ultra-Web® Flame Retardant
- Cellulex
- Kevlar / Nomex
- Thermoweb

TD style without outer liner



**Open top flange**  
 Closed bottom + hole 13.5 mm

**SPECIFICATIONS**

Item	Description
1	Marking
2	Gasket
3	Inner liner
4	Open bottom end cap with 13.5 mm hole
5	Media pack
6	Top end cap
7	Inner beading

- Available media qualities:**
- Ultra-Web® Flame Retardant
  - Fibraweb
  - Torit-Tex
  - Torit-Tex AS
  - Ultra-Web® SB
  - Ultra-Web® SB AS



Humberstone Lane  
 Thurmaston  
 Leicester LE4 8HP  
 England

Tel +44 (0)116 269 6161  
 Fax +44 (0)116 269 3028

Email: [IAF-uk@donaldson.com](mailto:IAF-uk@donaldson.com)

[www.donaldsonoritdce.com](http://www.donaldsonoritdce.com)

Research Park Zone 1  
 Interleuvenlaan 1  
 B-3001 Leuven (Heverlee)  
 Belgium

Tel +32 (0)16 383 970  
 Fax +32 (0)16 383 938

Email: [IAF-europe@donaldson.com](mailto:IAF-europe@donaldson.com)

Donaldson reserves the right to change or discontinue any model or specification at any time and without notice. Freedom from patent restrictions must not be assumed.